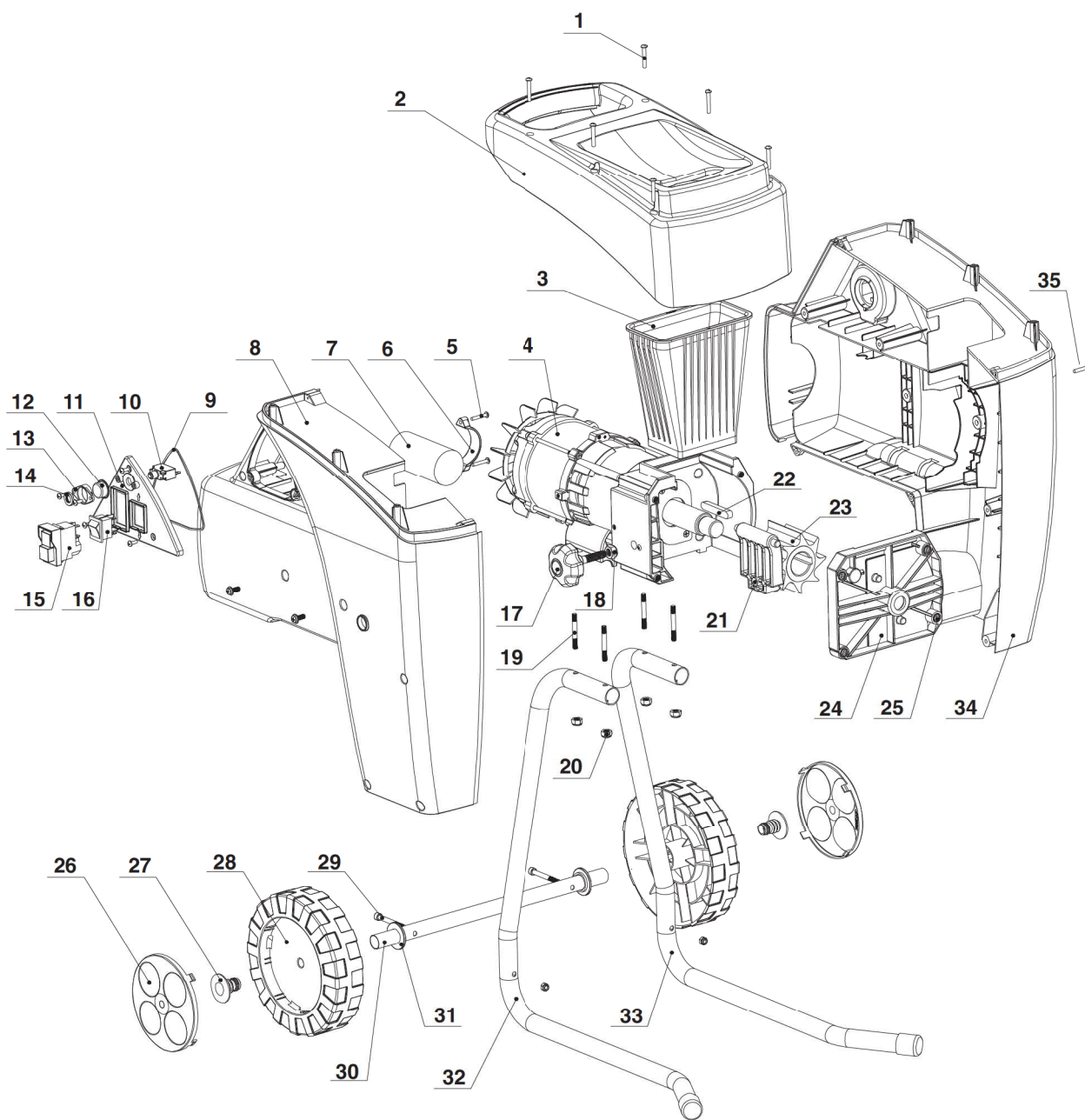


BIO MASTER

2008

511.0

1 / 2



POS.	CODE	Q.TY	DESCRIZIONE	DESCRIPTION	DESCRIPTION	BESCHREIBUNG	REMARKS
1	1716-0063-01	6	VITE	SCREW	VIS	SCHRAUBE	
2	1716-0205-01	1	BOCCA CONVOGLIATORE	CONVEYOR INLET	BOUCHE CONVOYEUR	BLECHSATZEINGANG	
3	1716-0077-01	1	CONVOGLIATORE	CONVEYOR	CONVOYEUR	KONVEYOR	
4	1716-0194-01	1	ASS. MOTORE CON VENTOLA	MOTOR ASSEMBLY	ENS.MOTEUR	MOTOREINHEIT	
5	9847-7922-16	2	VITE	SCREW	VIS	SCHRAUBE	
6	1716-0080-01	1	SUPPORTO	HOLDER	SUPPORT	HALTER	
7	1716-0189-01	1	CONDENSATORE	CAPACITOR	CONDENSATEUR	KONDENSATOR	
8	1716-0075-02	1	CARTER DX, ROSSO	RIGHT HOUSING, RED	CARTER DROIT, ROUGE	GEHÄUSE RECHTE, ROT	
8	1716-0203-01	1	CARTER DX, GIALLO	RIGHT HOUSING, YEL-LOW	CARTER DROIT, JAUNE	GEHÄUSE RECHTE, GELB	

POS.	CODE	Q.Q.TY	DESCRIZIONE	DESCRIPTION	DESCRIPTION	BESCHREIBUNG	REMARKS
9	1716-0067-01	1	COPERCHIO PROTEZIONE	PROTECTION COVER	COUVERCLE PROTECTION	SCHUTZDEKEL	
10	1716-0157-01	1	COPERCHIO PROTEZIONE	PROTECTION COVER	COUVERCLE PROTECTION	SCHUTZDEKEL	
11	1716-0081-01	1	PROTEZIONE MICRO	MICRO PROTECTION	PROTECTION MICRO	SCHUTZ	
12	1716-0068-01	1	CAPPUCCIO	PROTECTION	CAPUCHON	STECKER	
13	1716-0082-01	1	PULSANTE	BUTTON	POUSSOIR	DRUCKKNOPF	
14	1716-0096-01	1	DADO	NUT	ECROU	MUTTER	
15	1716-0070-01	1	MICRO INTERRUOTORE	MICROSWITCH	MICROINTERRUPTEUR	MIKROSCHALTER	
16	1716-0136-01	1	INTERRUPTORE	SWITCH	INTERRUPTEUR	SCHALTER	
17	1716-0078-01	1	MANOPOLINA	KNOB	POIGNÉE	GRIFF	
18	9799-1031-02	1	DADO	NUT	ECROU	MUTTER	
19	1716-0064-01	4	PRIGIONIERO	DOUBLE-SCREW BOLT	PRISONNIER	STIFTSCHRAUBE	
20	9799-0631-02	6	DADO	NUT	ECROU	MUTTER	
21	1716-0104-01	1	PIASTRINA	PLATE	PLAQUETTE	PLÄTTCHEN	
22	1716-0074-01	1	CHIAVETTA	KEY	CLAVETTE	KEIL	
23	1716-0176-01	1	COLTELLO	BLADE	LAME	MESSER	
24	1716-0103-01	1	CAPOTTINA	COVER	CAPOT	HAUBE	
25	1716-0061-01	4	VITE	SCREW	VIS	SCHRAUBE	
26	1716-0054-01	2	COPRIMOZZO, GIALLO	HUB CAP, YELLOW	COUVRE-MOYEU, JAUNE	RADKAPPE, GELB	
-	1716-0054-02	2	COPRIMOZZO, ROSSO	HUB CAP, RED	COUVRE-MOYEU, ROUGE	RADKAPPE, ROT	
27	1716-0084-01	2	PERNO	PIN	PIVOT	BOLZEN	
28	1716-0091-01	2	RUOTA	WHEEL	ROUE	RAD	
29	9948-0655-16	2	VITE	SCREW	VIS	SCHRAUBE	
30	1716-0209-01	1	ASSE RUOTE	WHEELS AXLE	AXE ROUES	RAD ACHSE	
31	1716-0083-01	2	DISTANZIALE	SPACER	ENTRETOISE	DISTANZRING	
32	1716-0207-01	1	SUPPORTO RUOTA DX	SUPPORT, R WHEEL	SUPPORT ROUE DROIT	HALTER, RAD RECHTE	
33	1716-0208-01	1	SUPPORTO RUOTA SX	SUPPORT, L WHEEL	SUPPORT, G ROUE	HALTER, RAD LINKER	
34	1716-0076-02	1	CARTER SX, ROSSO	LEFT HOUSING, RED	CARTER GAUCHE, ROUGE	GEHÄUSE LINKER, ROT	
-	1716-0204-01	1	CARTER SX, GIALLO	LEFT HOUSING, YELLOW	CARTER GAUCHE, JAUNE	GEHÄUSE LINKER, GELB	
35	9847-7922-16	9	VITE	SCREW	VIS	SCHRAUBE	